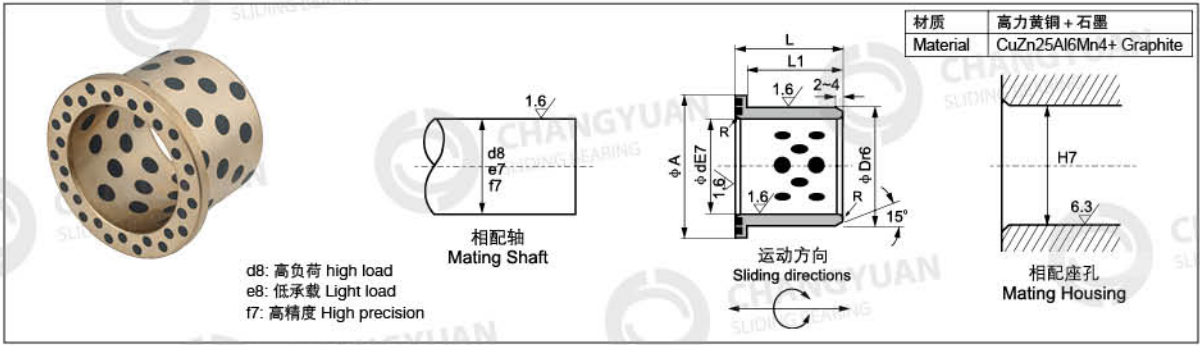


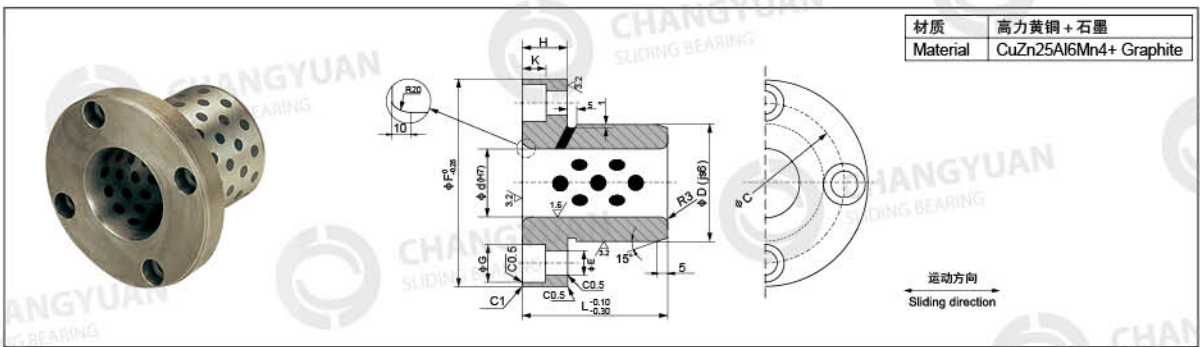
JDBB 自润滑翻边轴承 JDBB Oilless Flange Bushes



单位unit:mm

| 订货代号 Stanard No. | Φd | E7 | ΦD | r6 | ΦA | L1 | L |
|---------------------|----|------------------|----|------------------|----|----|----|
| JDBB-12 × 15 | 12 | +0.050 +0.032 | 18 | +0.034 +0.023 | 25 | 11 | 15 |
| JDBB-16 × 20 | 16 | | 22 | | 30 | 15 | 20 |
| JDBB-20 × 25 | 20 | +0.061 +0.040 | 28 | +0.041 +0.028 | 36 | 20 | 25 |
| JDBB-25 × 30 | 25 | | 33 | | 43 | 25 | 30 |
| JDBB-30 × 35 | 30 | | 38 | +0.050 +0.034 | 48 | 30 | 35 |
| JDBB-40 × 45 | 40 | +0.075 +0.050 | 50 | | 60 | 40 | 45 |
| JDBB-50 × 55 | 50 | | 62 | +0.060 +0.041 | 75 | 49 | 55 |
| JDBB-60 × 65 | 60 | +0.090 +0.060 | 75 | +0.062 +0.043 | 90 | 58 | 65 |

HGB 自润滑导向套 HGB Self-lubricant Guide Bushes



单位unit:mm

| 项目 NO. | 代号 Code | 尺寸 Spfication | ΦF | ΦD (js6) | Φd (H7) | H | L | ΦC | ΦE | ΦG | K |
|-----------|------------|-----------------------|-----|-------------|------------|----|-----|-----|----|------|------|
| 1 | 30 | 90 × 50 × 30 × 50 | 90 | 50 | 30 | 20 | 50 | 70 | 11 | 17.5 | 10.8 |
| 2 | 40 | 100 × 60 × 40 × 65 | 100 | 60 | 40 | 20 | 65 | 80 | 11 | 17.5 | 10.8 |
| 3 | 50 | 125 × 75 × 50 × 80 | 125 | 75 | 50 | 20 | 80 | 100 | 11 | 17.5 | 10.8 |
| 4 | 60 | 135 × 85 × 60 × 100 | 135 | 85 | 60 | 20 | 100 | 110 | 11 | 17.5 | 10.8 |
| 5 | 80 | 170 × 110 × 80 × 130 | 170 | 110 | 80 | 25 | 130 | 140 | 14 | 20 | 13 |
| 6 | 100 | 190 × 130 × 100 × 160 | 190 | 130 | 100 | 25 | 160 | 160 | 14 | 20 | 13 |